

Name : _____

Score : _____

Circle the numbers

Sheet 1

Circle the possible values that satisfy each inequality.



$2x \geq 8$

1 3 4 6



$x - 3 < 9$

16 5 18 10



$12 > x + 6$

2 3 6 5



$\frac{x}{2} > 9$

2 20 6 8



$5x \leq 10$

5 1 2 4



$x + 5 > 9$

2 1 7 9



$x + 7 \geq 14$

3 11 5 7



$\frac{x}{3} < 5$

17 12 6 16



$16 > x + 7$

8 10 15 12



$5 > \frac{x}{5}$

20 25 5 15



$6x \leq 18$

5 4 3 2



$20 \geq 2x$

13 10 9 8

Name : _____

Score : _____

Solving One-Step Inequalities

ES1

Solve each inequality.

1)

$$x + 5 < 6$$

2)

$$9x \geq 3$$

3)

$$x - 2 > 4$$

4)

$$\frac{x}{9} \leq 1$$

5)

$$10 + x > 17$$

6)

$$8x < 6$$

7)

$$x - 10 \geq 2$$

8)

$$\frac{x}{4} < 5$$

9)

$$x + 11 \leq 16$$

10)

$$9x > 12$$

11)

$$x - 15 \leq 1$$

12)

$$\frac{x}{3} \geq 7$$

Name: _____

Dividing Mixed Numbers

Sheet 1

Find the quotient.

1) $6\frac{6}{9} \div 1\frac{5}{7}$

2) $5\frac{5}{6} \div 7\frac{1}{6}$

3) $7\frac{4}{5} \div 8\frac{1}{8}$

4) $6\frac{1}{3} \div 1\frac{1}{18}$

5) $8\frac{3}{10} \div 4\frac{3}{20}$

6) $9\frac{3}{4} \div 5\frac{2}{5}$

7) $3\frac{7}{12} \div 4\frac{1}{2}$

8) $2\frac{6}{14} \div 2\frac{3}{7}$

Name: _____

Dividing Mixed Numbers

Sheet 1

Find the quotient.

1) $6\frac{6}{9} \div 1\frac{5}{7}$

2) $5\frac{5}{6} \div 7\frac{1}{6}$

3) $7\frac{4}{5} \div 8\frac{1}{8}$

4) $6\frac{1}{3} \div 1\frac{1}{18}$

5) $8\frac{3}{10} \div 4\frac{3}{20}$

6) $9\frac{3}{4} \div 5\frac{2}{5}$

7) $3\frac{7}{12} \div 4\frac{1}{2}$

8) $2\frac{6}{14} \div 2\frac{3}{7}$

Name: _____

Multiplying Three Fractions

Sheet 1

Find the product.

1) $\frac{1}{10} \times \frac{11}{2} \times \frac{9}{2}$

2) $\frac{7}{8} \times \frac{2}{6} \times \frac{8}{21}$

3) $\frac{4}{5} \times \frac{1}{2} \times \frac{9}{14}$

4) $\frac{9}{5} \times \frac{10}{3} \times \frac{5}{2}$

5) $\frac{22}{10} \times \frac{2}{3} \times \frac{18}{11}$

6) $\frac{10}{15} \times \frac{30}{18} \times \frac{3}{20}$

7) $\frac{1}{3} \times \frac{5}{6} \times \frac{7}{2}$

8) $\frac{3}{2} \times \frac{9}{7} \times \frac{1}{4}$

Name: _____

Multiplying Two Mixed Numbers

Sheet 3

Find the product.

1) $4\frac{1}{3} \times 5\frac{1}{4}$

2) $3\frac{7}{10} \times 1\frac{2}{6}$

3) $2\frac{2}{13} \times 2\frac{1}{6}$

4) $1\frac{1}{8} \times 6\frac{8}{9}$

5) $5\frac{3}{5} \times 6\frac{3}{7}$

6) $2\frac{3}{4} \times 1\frac{2}{3}$

7) $1\frac{2}{7} \times 1\frac{7}{9}$

8) $4\frac{4}{5} \times 2\frac{3}{6}$

Name : _____

Parentheses in PEMDAS

L2ES1

Solve.

1) $(64 - 16) \div 2^2$

Ans =

2) $7^2 \times (15 - 12)$

Ans =

3) $(5 + 3) \times 2^5$

Ans =

4) $9^3 \div (52 - 43)$

Ans =

5) $(85 \div 5) + 5^2$

Ans =

6) $(8 \times 2^4) + 34$

Ans =

7) $(76 \div 2) - 3^3$

Ans =

8) $(11 + 9) \times 3^2$

Ans =

9) $2^2 \times (48 - 35)$

Ans =

10) $(96 - 32) \div 4^2$

Ans =

Name : _____

Comparing Quantities

Sheet 1

A) Fill in the box with an appropriate symbol (= or \neq).

1) $9 + (10 - 2) \times 8$ $(4 \times 6) \div 2 - 5$ 2) $28 - (9 \div 3) + 5$ $(32 + 8) \div 4 \times 3$

3) $12 \div 2 + (3 - 6) + 1$ $18 \div (12 - 6) + 7$ 4) $30 \div (2 + 8)$ $17 - 9 \times (2 + 1)$

5) $(1 + 3) \times 2$ $5 + 8 - 30 \div (4 + 2)$ 6) $5 \times (5 + 2) - 21$ $2 \times (4 + 24) \div 4$

B) Fill in the box with an appropriate symbol (<, > or =).

7) $(2 + 7) \div 9$ $5 \times (6 - 18) + 3$ 8) $6 \div (2 + 1) \times 2$ $2 \times (4 + 10)$

9) $(4 - 9) \times 3 + 7 - 2$ $6 - 48 \div (4 \times 2)$ 10) $(8 - 2) \times 4 + 9$ $(8 \div 2) \times 7 - 1 + 6$

11) $2 \times (12 \div 4) + 5$ $(5 + 7) \div 2 - 7 + 12$ 12) $7 \times (21 \div 3)$ $9 + (4 - 6) \times 7$

C) Match the equal quantities.

13) $4 + 6 \times (6 - 2)$

$3 \times (6 - 5) + 7$

14) $(1 + 1) \times 4$

$4 \times (2 + 2)$

15) $7 + 24 \div (6 + 2)$

$28 \div (5 - 3) + 14$

16) $(6 \times 4) \div 3 + 9 - 1$

$2 \times (7 + 9) \div 4$

Name: _____

Nested parentheses in PEMDAS

L2ES1

Solve.

1) $(8 + (2^4 + 3)) \div 9$

Ans =

2) $((11 - 7) + 15) \times 4^2$

Ans =

3) $((99 - 1) \div 7^2) \times 2 + 8$

Ans =

4) $5^3 \times ((18 \div 3) - 5)$

Ans =

5) $28 \div (20 - (3^2 \times 2))$

Ans =

6) $70 \div ((17 - 9) - 3) \times 2^5$

Ans =

7) $((2 + 8^2) - 6) \div 10$

Ans =

8) $4^2 \times ((12 + 3) - 11)$

Ans =

9) $5 + (2 \times (5^3 + 3)) - 84$

Ans =

10) $((2 \times 6) + 60) \div 6^2$

Ans =

Name : _____

Multiplying Decimals

Hundredths: L 151

A) Find the product.

$$\begin{array}{r} 1) \quad 0.44 \\ \times 0.15 \\ \hline \end{array}$$

$$\begin{array}{r} 2) \quad 0.27 \\ \times 0.63 \\ \hline \end{array}$$

$$\begin{array}{r} 3) \quad 0.07 \\ \times 0.59 \\ \hline \end{array}$$

$$\begin{array}{r} 4) \quad 0.05 \\ \times 0.08 \\ \hline \end{array}$$

$$\begin{array}{r} 5) \quad 0.14 \\ \times 0.02 \\ \hline \end{array}$$

$$\begin{array}{r} 6) \quad 0.76 \\ \times 0.21 \\ \hline \end{array}$$

B) 1) Which of the following is the product of 0.95 and 0.22?

a) 0.209

b) 0.0029

c) 0.0209

2) Which of the following is the product of 0.03 and 0.39?

a) 0.1017

b) 0.0117

c) 0.1107

Name : _____

Dividing Decimals

Multi-digit: S1

Find the quotient.

1)

$$0.005 \overline{) 0.0025}$$

2)

$$1.1 \overline{) 133.32}$$

3)

$$3.4 \overline{) 37.774}$$

4)

$$0.07 \overline{) 1428.7}$$

5)

$$0.02 \overline{) 2.6248}$$

6)

$$0.025 \overline{) 0.0075}$$

Name : _____

Dividing Decimals

Adding zeros: S3

Find the quotient.

1)

$$0.06 \overline{) 0.15}$$

2)

$$0.5 \overline{) 12.2}$$

3)

$$0.2 \overline{) 2.09}$$

4)

$$0.008 \overline{) 0.5}$$

5)

$$0.14 \overline{) 7.651}$$

6)

$$3.5 \overline{) 14.14}$$

Name : _____

Division

Sheet 1

1)

$$18 \overline{) 95,742}$$

2)

$$657 \overline{) 81,491}$$

3)

$$34 \overline{) 64,514}$$

4)

$$259 \overline{) 76,887}$$

5)

$$45 \overline{) 39,380}$$

6)

$$961 \overline{) 22,103}$$

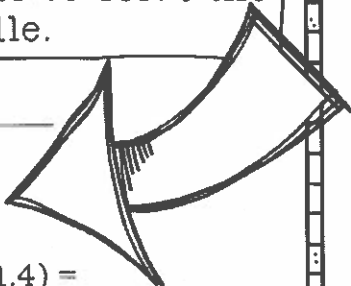
Order of Operations

Decimals Riddles²

-parenthesis, no exponents-



Solve the math problems. Find the answer below and write the letter to solve the riddle.



E $(4.4 \times 2) + 16.48 =$ _____

S $60 \div (10.1 - 9.6) =$ _____

T $5.79 + (4.5 \div 5) - 0.73 =$ _____

O $(7.6 - 2.72) + (8.67 - 1.4) =$ _____

R $85.9 - 22.54 + (7.27 - 3.1) =$ _____

V $(40.29 - 15.85) + 7.1 \times 0.4 =$ _____

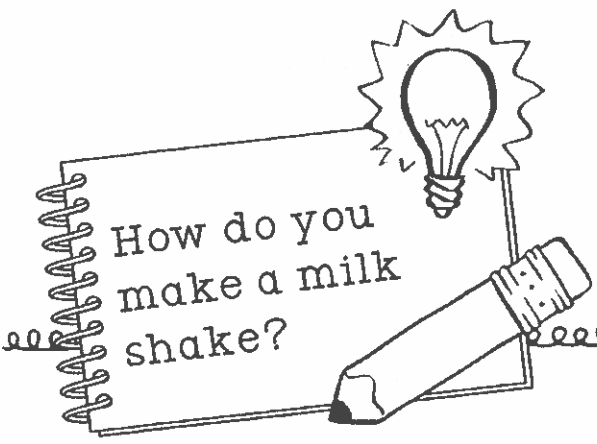
G $2.7 \div 0.3 + (51.73 - 6.2) =$ _____

C $2.5 \times 1.5 + (3.96 - 2.4) =$ _____

A $2.14 + 8.6 \times (5.4 - 5.2) =$ _____

D $(12.8 \div 4) + (3.04 \times 7) =$ _____

I $48.15 - (21.3 \div 3 + 11.42) =$ _____



54.53 29.63 27.28 25.25 .29.63 5.96 3.86

54.53 12.15 12.15 24.48 120 5.31 3.86 67.53 25.25 !

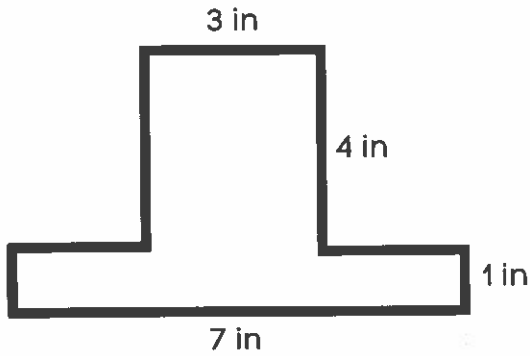
Name: _____

Date: _____

Area and Perimeter of Irregular Shapes

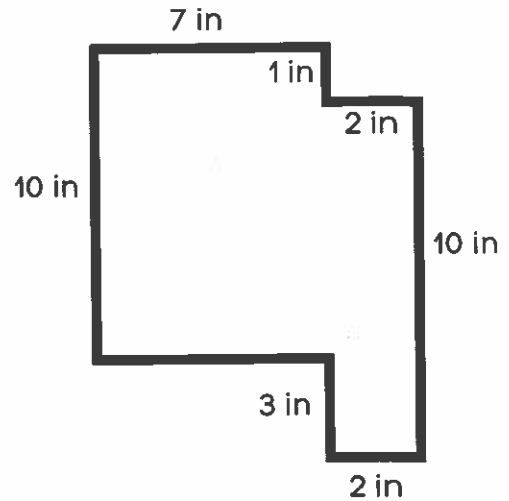
Directions: Find the area and perimeter of the irregular shapes below

1.



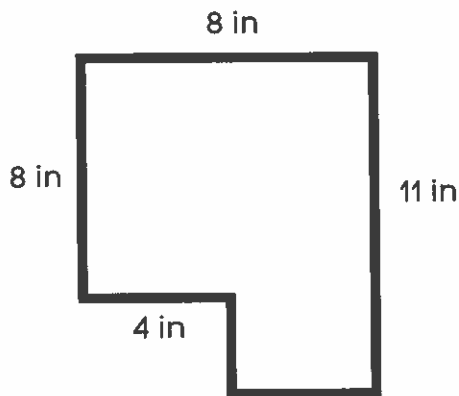
Area: _____ Perimeter: _____

2.



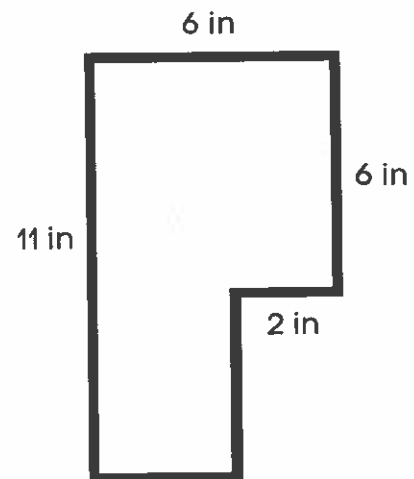
Area: _____ Perimeter: _____

3.



Area: _____ Perimeter: _____

4.



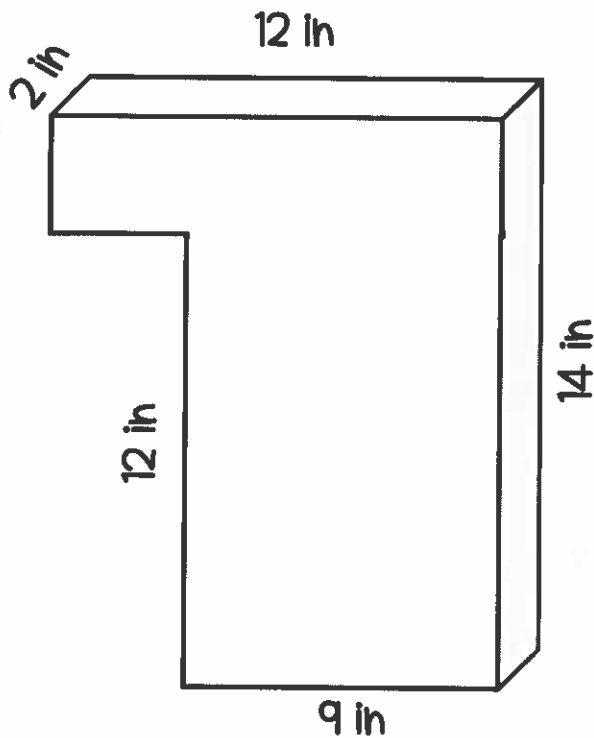
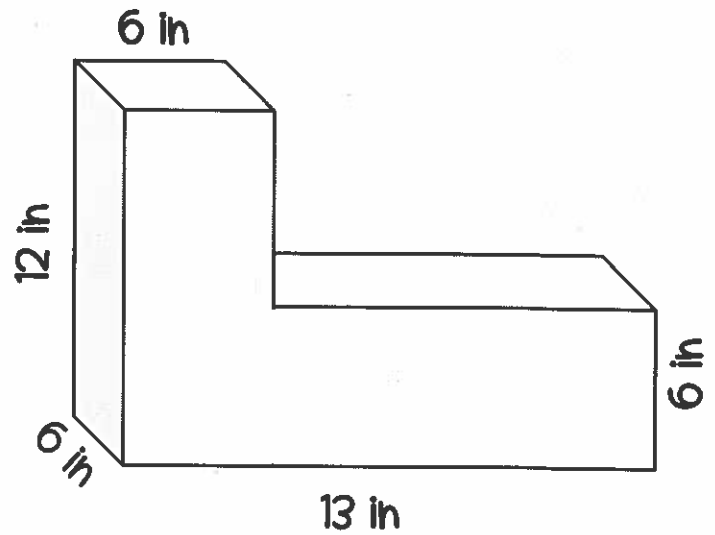
Area: _____ Perimeter: _____

Volume of Composite Figures

Volume of Figure 1: _____

Volume of Figure 2: _____

Total Volume: _____



Volume of Figure 1: _____

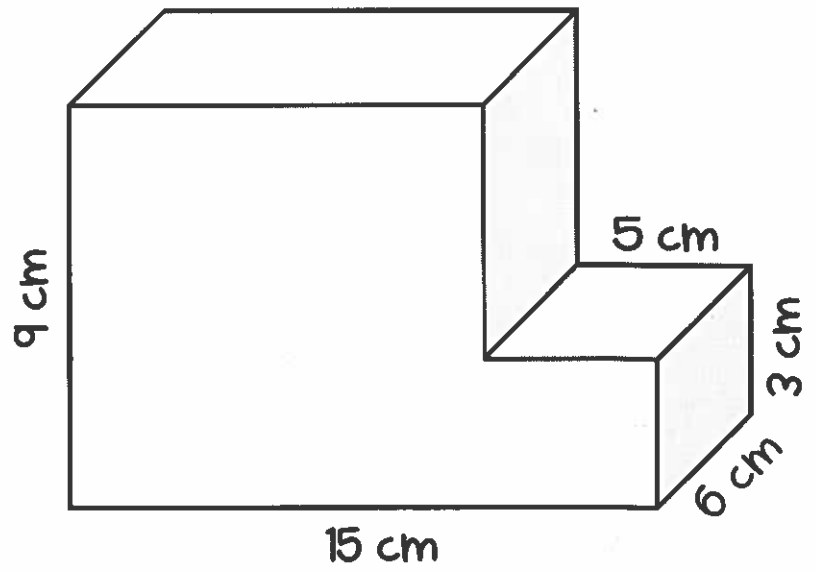
Volume of Figure 2: _____

Total Volume: _____

Volume of Figure 1: _____

Volume of Figure 2: _____

Total Volume: _____



Volume of Figure 1: _____

Volume of Figure 2: _____

Total Volume: _____

